

Northern Saw-whet Owl Nest Box Plans

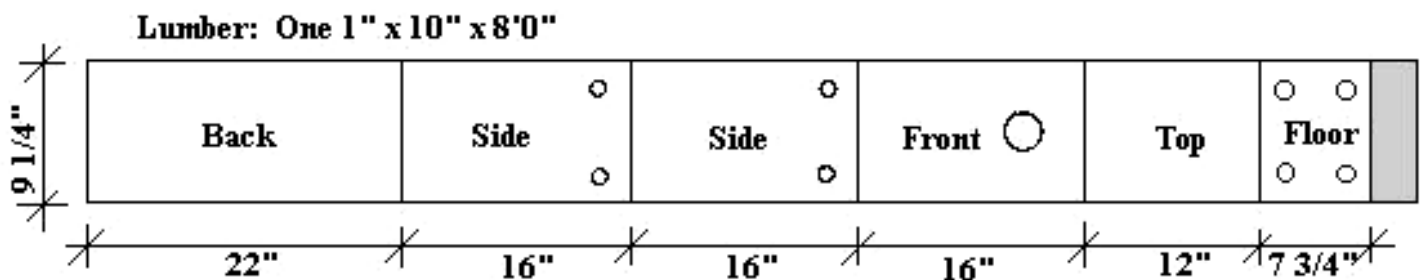
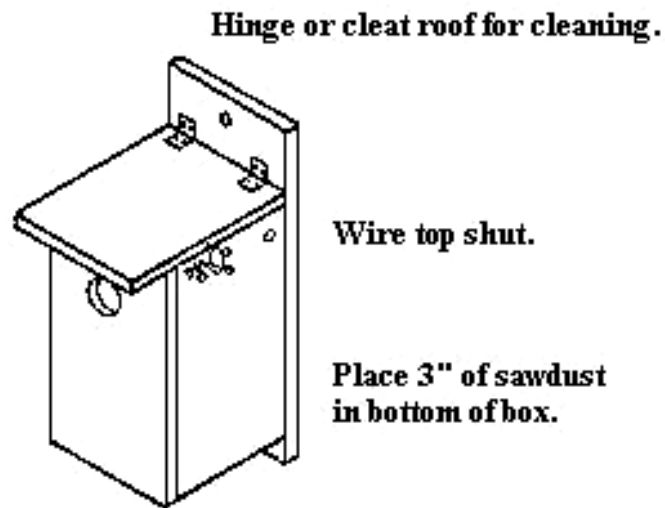
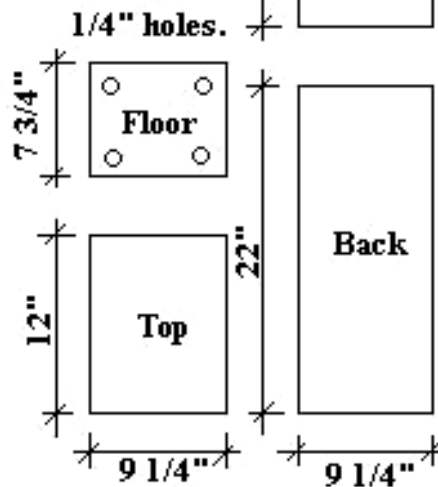
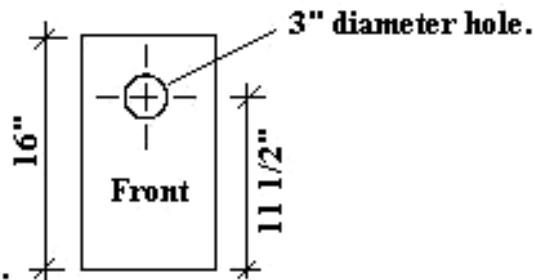
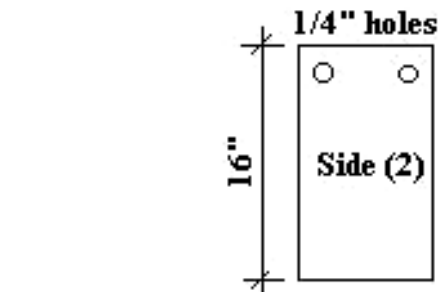
Entrance hole diameter is 3 inches.



Avoid painting or treating the wood for a nest box with any preservatives.

Adding a piece of hardware cloth, a small block, or grooves the inside the box below the opening makes it easier for nestlings to access the opening.

A perch on the front of the box is not needed by owls and would provide a foothold for predators.



Helpful Tips

Nest box should be installed between 8' and 15' in height on a living tree, facing roughly south.

The preferred nesting habitat is a coniferous forests near a water source (i.e., river, swamp).

Install the nest box well before breeding season (March to May).

Attach a guard to keep predators from raiding eggs and young.

Cleaning out the box in the nonbreeding season is recommended. The hard mat of dried prey remains and feces left in a nest box could make it unsuitable for a year or two.