

Nesting Shelf

Adult Assistance

The simple nest shelf appeals to three local birds, American Robin, Eastern Phoebe and Barn Swallow. All three are willing to live close to people. In fact they readily nest on our buildings. Often this may cause a problem for us. Instead of having to chasing them away from porches, doorways, windowsills, potted plants, and so on, give them a safe place to nest that works for you. Not just delightful entertainment, these birds work hard - eating insects and pests that damage our crops, lawns, and

The open nest shelf makes these birds fabulous subjects to study. It is easy to observe all aspects of nesting and raising young with out disturbing the nest. There are endless things to observe, monitor, and record: *What material is used? How often, in an hour, are nestlings fed? Do the adults "talk" to the young? Think of and write down as many questions as you can. Watch and wait for the birds to fill in the answers. You are on your way to becoming a citizen scientist.*

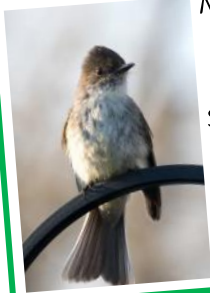
American Robin



Habitat - all Mount Shelf - on a building in a sheltered site, under the eaves or soffits, or over a light fixture, 2 - 8 meters up
Status - in decline in Ontario
Robins forage largely on lawns, making them vulnerable to pesticide poisoning (and house cats).
Fun Fact: Females build the nest from the inside. Pressing with a wrist on one wing, they form nesting material into a cup.

as many questions as you can. Watch and wait for the birds to fill in the answers. You are on your way to becoming a citizen scientist.

Eastern Phoebe



Habitat - wooded Mount Shelf - on a building close to overhead cover (soffit, overhangs, ledges), prefer sites with fresh water nearby, 1 -5 meters up
Status - in decline in Ontario
Phoebes are insectivores (insect eaters) and are vulnerable to insecticide poisoning. Habitat loss also plays a role in the decline.
Fun Fact: Moss is a favorite material.



[Citizen scientist opportunities!](#)

TIP: Learn more about [species at risk in Ontario](#). You can help the ones in your Neighbourhood.



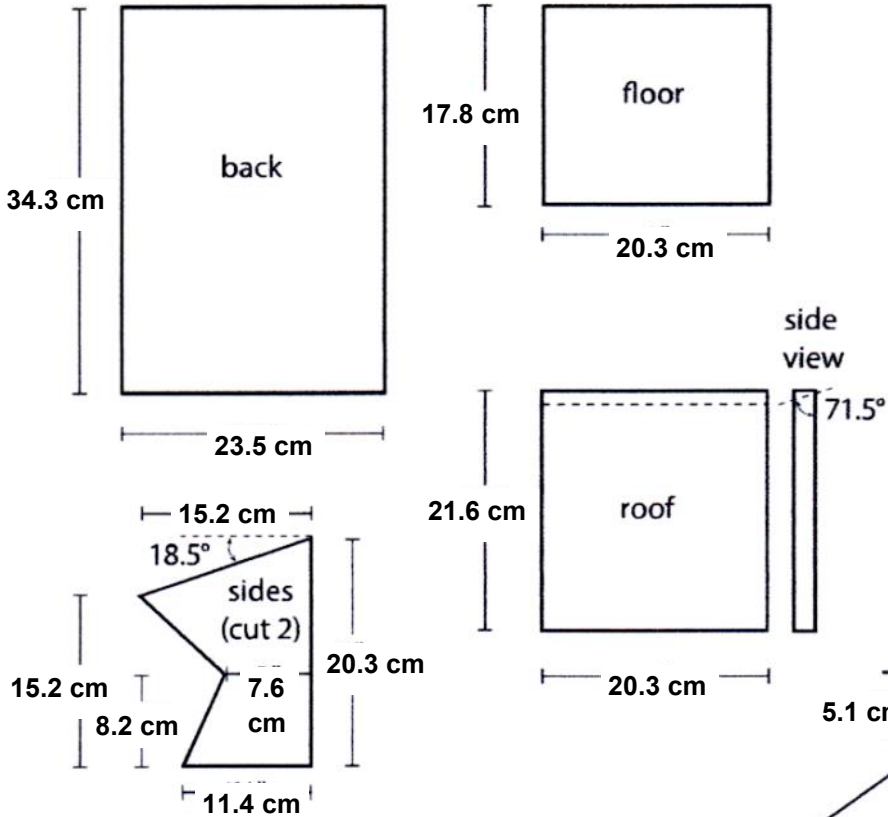
Barn Swallow



Habitat - grassland, shore, lake, town Mount shelf - on a building in a sheltered site, under the eaves or soffits, or over a light fixture, 2 - 4 meters high
Be careful! Swallows will defend their nest. Keep the shelf away from active doorways.
Status - threatened in Ontario
Barn Swallows nest almost exclusively on human-made structures. Old barns are preferred. Loss of habitat and insecticide poisoning are taking their toll.
Fun Fact: Swallows must have mud nearby to make their nests. A great reason for making mud puddles, if you need one!



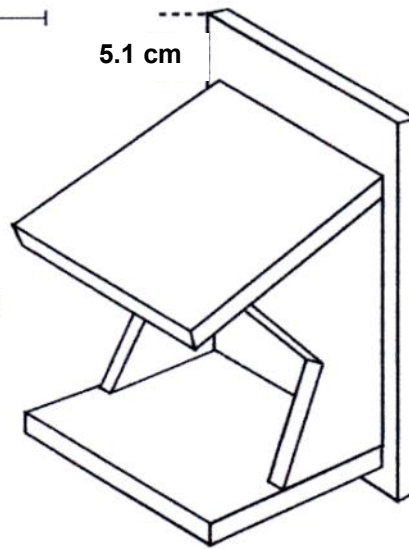
Nesting Shelf



Dress it up! This one has a railing and a stick perch. Be sure your add-ons keep, eggs, nestlings and adults safe (and secure from predators).



Completed Nest Shelf



Lumber: 1" x 10" x 4'

